



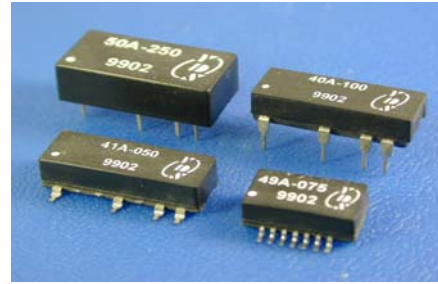
14 PIN DUAL-IN-LINE TTL ACTIVE DELAY LINE

FEATURES

- 14-PIN PACKAGE.
- 5EQUALLY-SPACED TAPS.
- TTL SCHOTTKY INTERFACED.
- TOTAL DELAYS FROM 25-1000nS.

ELECTRICAL CHARACTERISTICS

IIH Logic"1" Input Current	:50uA max
IIL Logic"0" Input Current	:-2mA max
VOH Logic"1" Output Voltage	:2.7V min
VOL Logic"0" Output Voltage	:0.5V max
VIH Logic"1" Input Voltage	:2.0V min
VIL Logic"0" Input Voltage	:0.8V max
TA Operating Temperature	:0°C to 70°C
NH Fanout"1" Output	:20 TTL Load
NL Fanout"0" Output	:10 TTL Load
Supply Current	:75mA Typ.



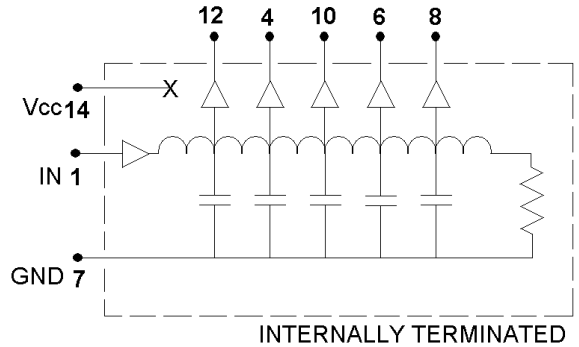
INPUT PULSE TEST CONDITION

Pulse Voltage	:3.2V
Pulse Width	:50nS min. or 100%Td
Duty Cycle	:<50%
Pulse Rise Time	:2nS(0.75 to 2.4V)
Time Delay Measured	:@1.5V level
Supply Voltage Vcc	:5.0±0.25Vdc

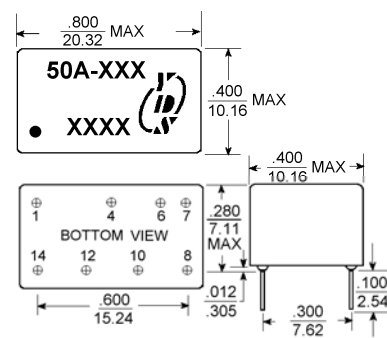
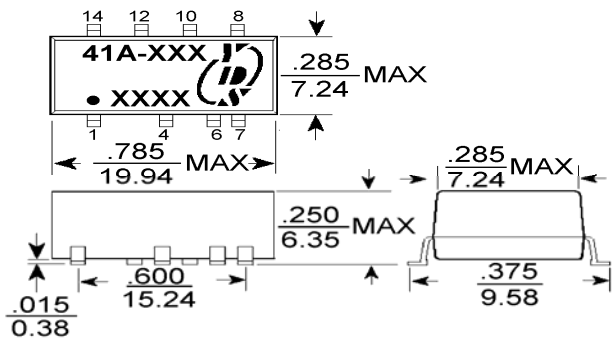
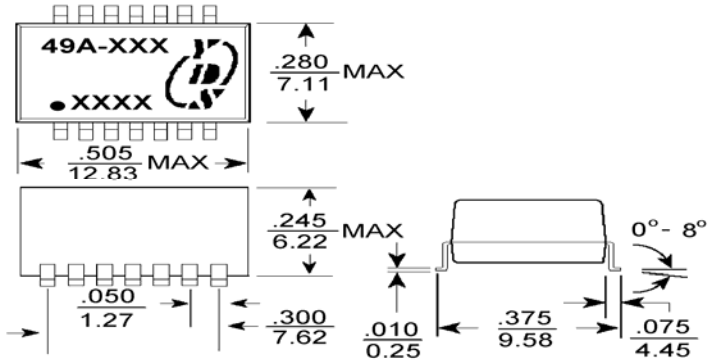
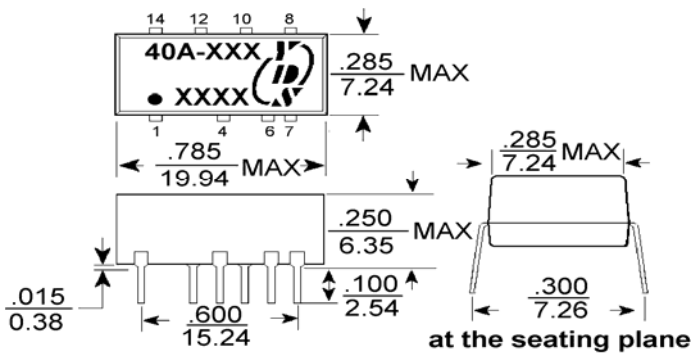
ELECTRICAL SPECIFICATIONS

PART NO.	DELAY TIME Td(nS)	TAP DELAY (nS)	RISE TIME Tr(nS)max
40A/41A/49A/50A-025	25±2	5±2	4
40A/41A/49A/50A-050	50±5%	10±2	4
40A/41A/49A/50A-075	75±5%	15±2	4
40A/41A/49A/50A-100	100±5%	20±2	4
40A/41A/49A/50A-125	125±5%	25±2	4
40A/41A/49A/50A-150	150±5%	30±2	4
40A/41A/49A/50A-200	200±5%	40±2	4
40A/41A/49A/50A-250	250±5%	50±5%	4
40A/41A/49A/50A-500	500±5%	100±5%	4
40A/41A/49A/50A-1000	1000±5%	200±5%	4

PIN CONNECTIONS



MARKINGS AND DIMENSIONS



Dimensions:inches/mm Unless otherwise specified, all tolerances are ±.010/±0.25